

# ALERTEX

WIRELESS CRITICAL ALERT SYSTEM



2a Bellevue Road, Friern Barnet, London, N11 3ER

T. **020 8368 7887** F. **020 8368 3952**

info@luminite.co.uk

www.luminite.co.uk

## Wireless Heat and Smoke Sensors

Part No. NXHEAT & NXSMOKE

**ALERTEX wireless heat (NXHEAT) and smoke (NXSMOKE) detectors have been specially designed to work with ALERTEX wireless fire alert call points to provide a full fire alarm system for evolving construction sites.**

When heat or smoke trigger their respective detectors, all ALERTEX alert points within the 100 metre range will activate via our proven mesh network protocol. On a growing site, for example, a contractor can place heat and smoke detectors within part-built houses, and these will integrate with ALERTEX fire alerts on site.

These wireless alarms have a 10 year battery life and are recommended by the UK Fire and Rescue Services. They are designed for easy installation and have a number of features including a silence button, audible low battery warning and an end of alarm life indicator. Both models boast bespoke software which maximises detection ability and false alarm rejection.

Both NXSMOKE and NXHEAT detectors will automatically power up when the detector is installed onto a mounting plate and automatically switch off when removed.

**NXSMOKE** detectors are **BS5839 Part 6** compliant and approved to **EN15604:2005** standard, the most recent and rigorous European Smoke Alarm Standard. The unit automatically flashes every minute to confirm it is receiving power and ready to detect smoke conditions.

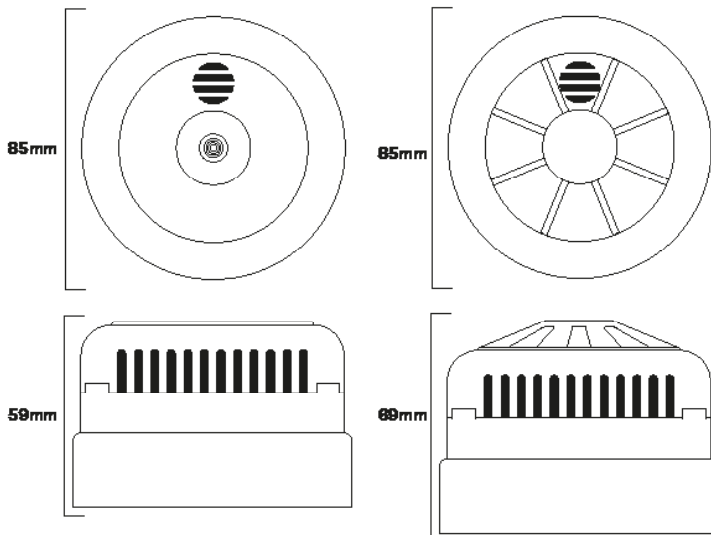
**NXHEAT** detectors conform to **BS5446-2:2003** standard and have been specifically designed for applications where smoke alarms would be unsuitable such as kitchens, garages and dusty areas.



### Dimensions (mm)

**NX-SMOKE**

**NX-HEAT**



### Example

